

majestic

Professional Series Chime

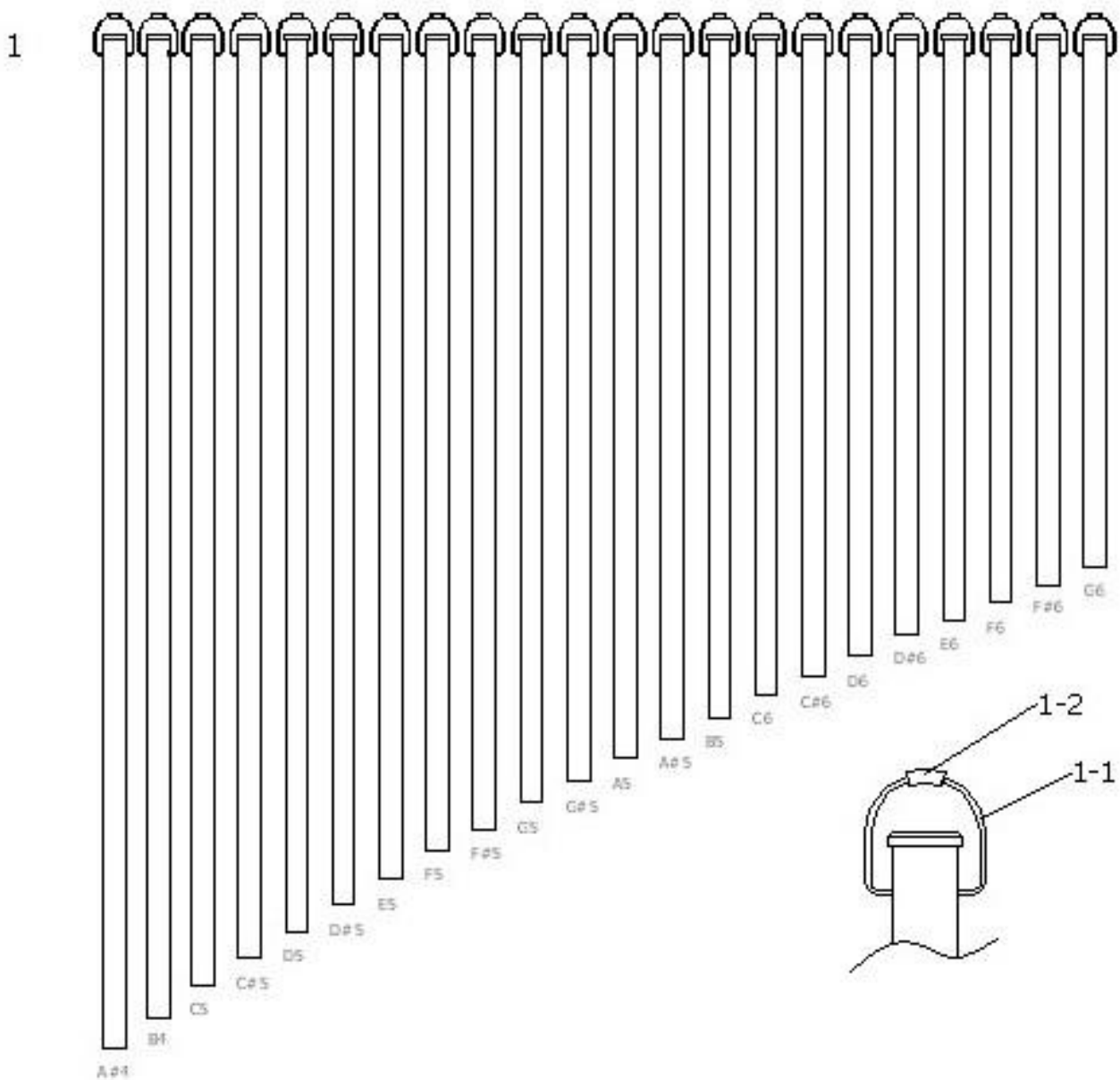
C8622C/C8622B





C8622C/C8622B Component Detail:

Note	Part Number	Description
1	PTC8622-BCA	C8622C 1 ½" Chrome 22 Note Chime Tube Set
1	PTC8622-BA	C8622B 1 ½" Brass 22 Note Chime Tube Set
2	PCC8622A	Frame Assembly Complete for C8622C/C8622B



1. PTC8622-BCA Component Detail:

Note	Part Number	Description
A#4	PT608-B54AC	A#4 Chime Tube (1 ½" Chrome)
B4	PT608-B04BC	B4 Chime Tube (1 ½" Chrome)



C5	PT608-B05CC	C5 Chime Tube (1 ½" Chrome)
C#5	PT608-B55CC	C#5 Chime Tube (1 ½" Chrome)
D5	PT608-B05DC	D5 Chime Tube (1 ½" Chrome)
D#5	PT608-B55DC	D#5 Chime Tube (1 ½" Chrome)
E5	PT608-B05EC	E5 Chime Tube (1 ½" Chrome)
F5	PT608-B05FC	F5 Chime Tube (1 ½" Chrome)
F#5	PT608-B55FC	F#5 Chime Tube (1 ½" Chrome)
G5	PT608-B05GC	G5 Chime Tube (1 ½" Chrome)
G#5	PT608-B55GC	G#5 Chime Tube (1 ½" Chrome)
A5	PT608-B05AC	A5 Chime Tube (1 ½" Chrome)
A#5	PT608-B55AC	A#5 Chime Tube (1 ½" Chrome)
B5	PT608-B05BC	B5 Chime Tube (1 ½" Chrome)
C6	PT608-B06CC	C6 Chime Tube (1 ½" Chrome)
C#6	PT608-B56CC	C#6 Chime Tube (1 ½" Chrome)
D6	PT608-B06DC	D6 Chime Tube (1 ½" Chrome)
D#6	PT608-B56DC	D#6 Chime Tube (1 ½" Chrome)
E6	PT608-B06EC	E6 Chime Tube (1 ½" Chrome)
F6	PT608-B06FC	F6 Chime Tube (1 ½" Chrome)
F#6	PT608-B56FC	F#6 Chime Tube (1 ½" Chrom)
G6	PT608-B06GC	G6 Chime Tube (1 ½" Chrom)

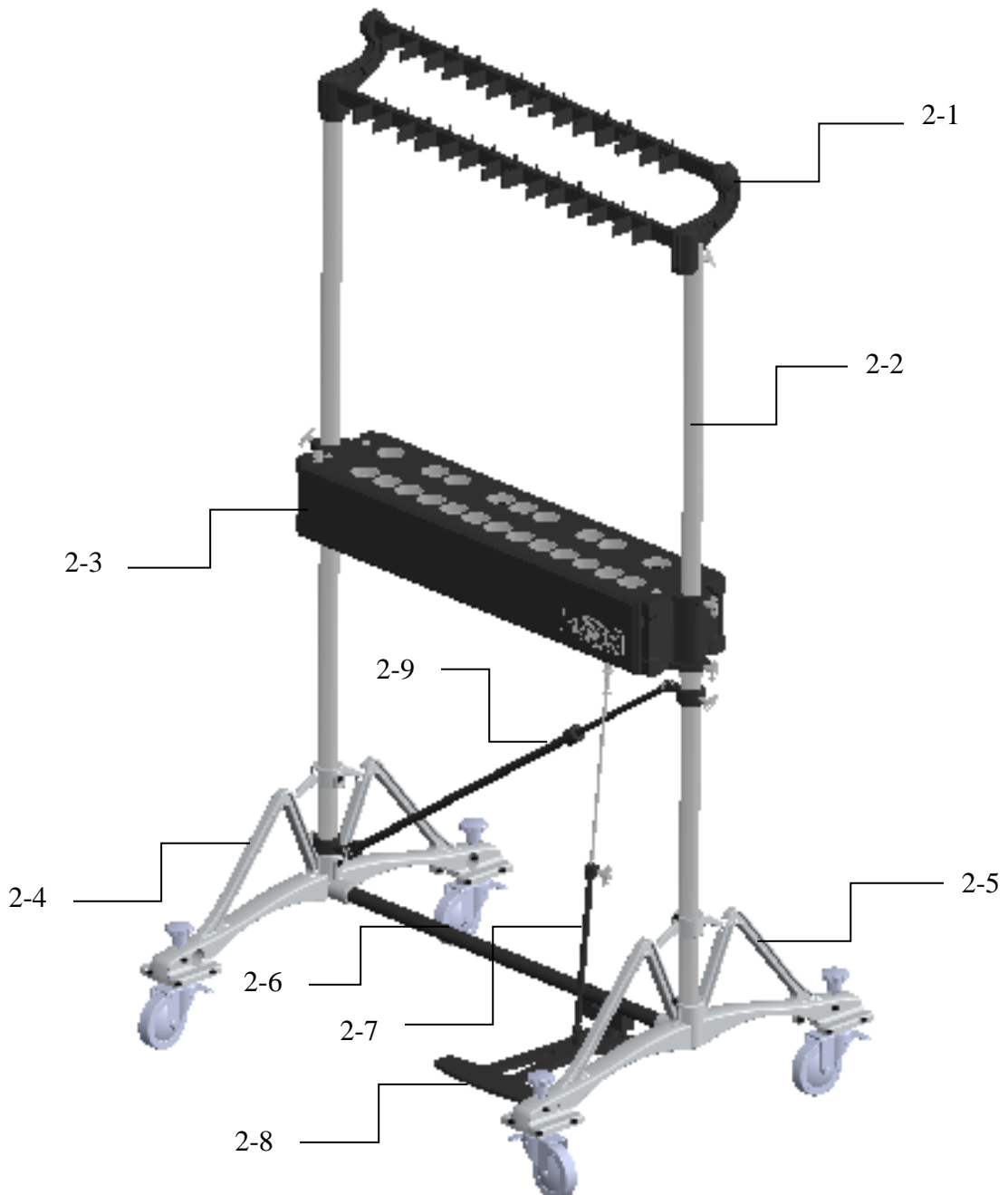
1. PTC8622-BA Component Detail:

Note	Part Number	Description
A#4	PT608-B54AB	A#4 Chime Tube (1 ½" Brass)
B4	PT608-B04BB	B4 Chime Tube (1 ½" Brass)
C5	PT608-B05CB	C5 Chime Tube (1 ½" Brass)
C#5	PT608-B55CB	C#5 Chime Tube (1 ½" Brass)
D5	PT608-B05DB	D5 Chime Tube (1 ½" Brass)
D#5	PT608-B55DB	D#5 Chime Tube (1 ½" Brass)
E5	PT608-B05EB	E5 Chime Tube (1 ½" Brass)
F5	PT608-B05FB	F5 Chime Tube (1 ½" Brass)
F#5	PT608-B55FB	F#5 Chime Tube (1 ½" Brass)
G5	PT608-B05GB	G5 Chime Tube (1 ½" Brass)
G#5	PT608-B55GB	G#5 Chime Tube (1 ½" Brass)
A5	PT608-B05AB	A5 Chime Tube (1 ½" Brass)
A#5	PT608-B55AB	A#5 Chime Tube (1 ½" Brass)
B5	PT608-B05BB	B5 Chime Tube (1 ½" Brass)
C6	PT608-B06CB	C6 Chime Tube (1 ½" Brass)
C#6	PT608-B56CB	C#6 Chime Tube (1 ½" Brass)



D6	PT608-B06DB	D6 Chime Tube (1 1/2" Brass)
D#6	PT608-B56DB	D#6 Chime Tube (1 1/2" Brass)
E6	PT608-B06EB	E6 Chime Tube (1 1/2" Brass)
F6	PT608-B06FB	F6 Chime Tube (1 1/2" Brass)
F#6	PT608-B56FB	F#6 Chime Tube (1 1/2" Brass)
G6	PT608-B06GB	G6 Chime Tube (1 1/2" Brass)

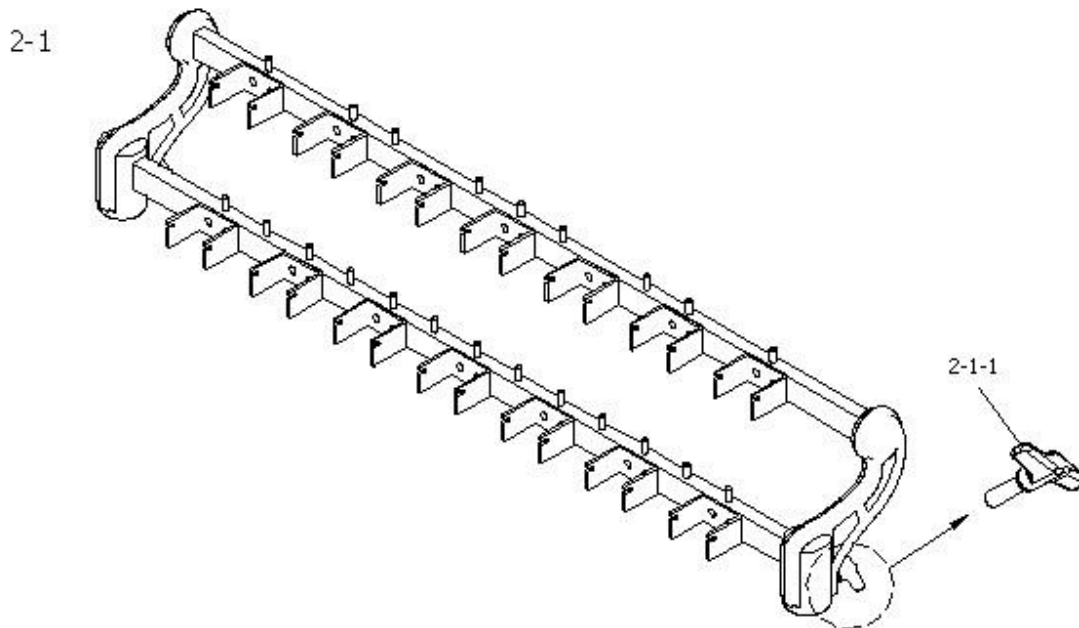
Note	Part Number	Description
1-1	PC6518-258	Bar Cord
1-2	PC6518-021	Terminal Part





2. PCC8622A Component Detail:

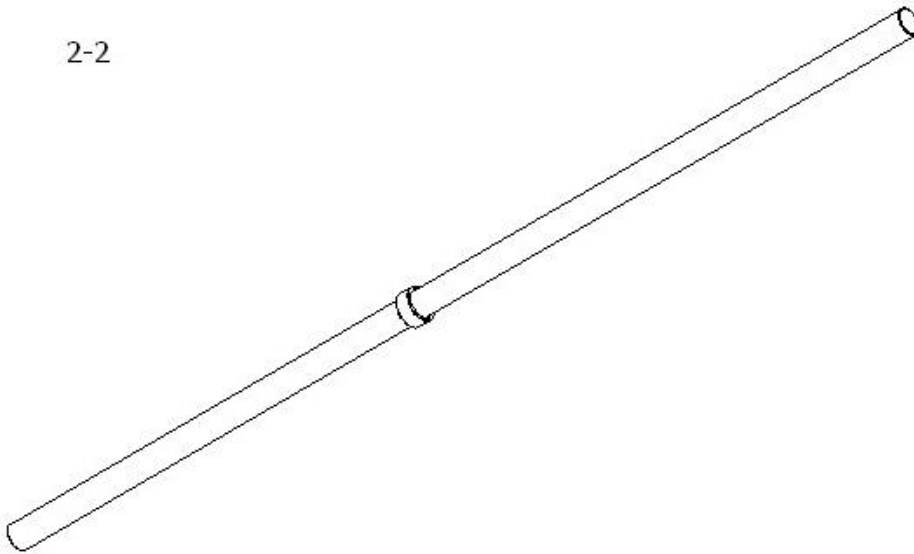
Note	Part Number	Description
2-1	PC8622-004A	Hanger Assembly
2-2	PC8622-011	Frame Tube
2-3	PC8622-101A	Damper Box Complete(for Lacquered Tubes)
2-3	PC8622C-101A	Damper Box Complete(For Chrome-Plated Tubes)
2-4	PC6618-001LA	Leg Assembly (left)
2-5	PC6618-001RA	Leg Assembly (right)
2-6	PC8622-635BA	Pedal Crossbar
2-7	PC6518-3780A	Pull Rod Assembly Complete
2-8	PC6618-220A	Pedal Assembly
2-9	PC8622-3780A	Crossbar Assembly Complete



2-1. PC8622-004A Component Detail:

Note	Part Number	Description
2-1	PC8622-004A	Hanger Assembly
2-1-1	PJZ0800230A	Wing Bolt

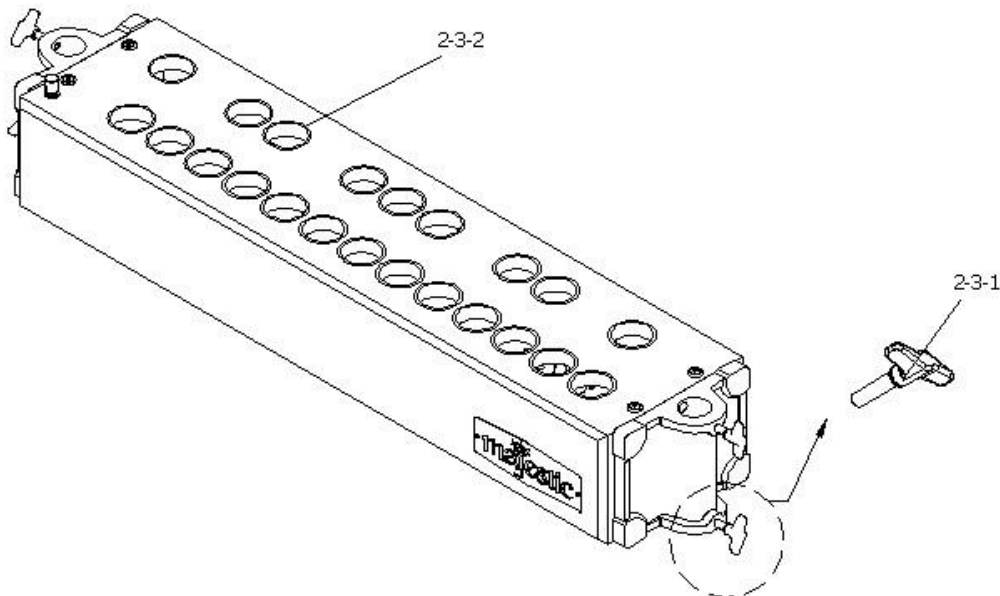
2-2



2-2. PC8622-011 Component Detail

Note	Part Number	Description
2-2	PC8622-011	Frame Tube

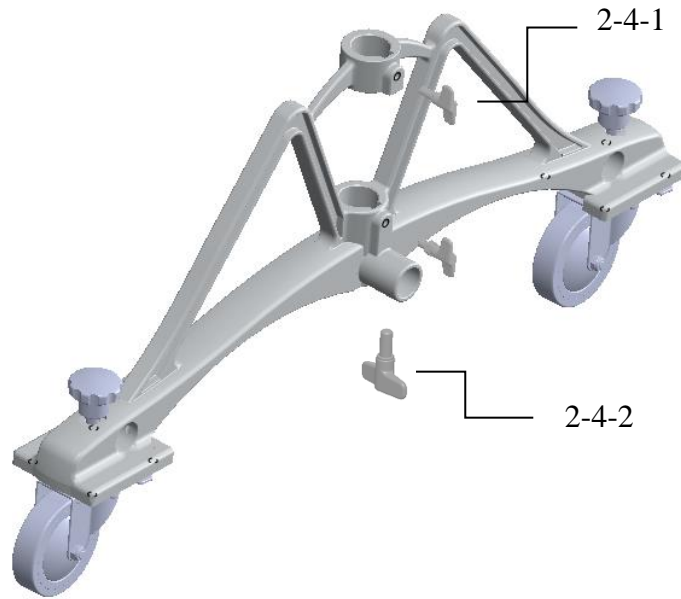
2-3



2-3. PC8622-101A Component Detail

Note	Part Number	Description
2-3	PC8622-101A	Damper Box Complete(for Lacquered Tubes)
2-3	PC8622C-101A	Damper Box Complete(For Chrome-Plated Tubes)
2-3-1	PJZ0800230A	Wing Bolt
2-3-2	PC6618-785	Mute Strip

2-4



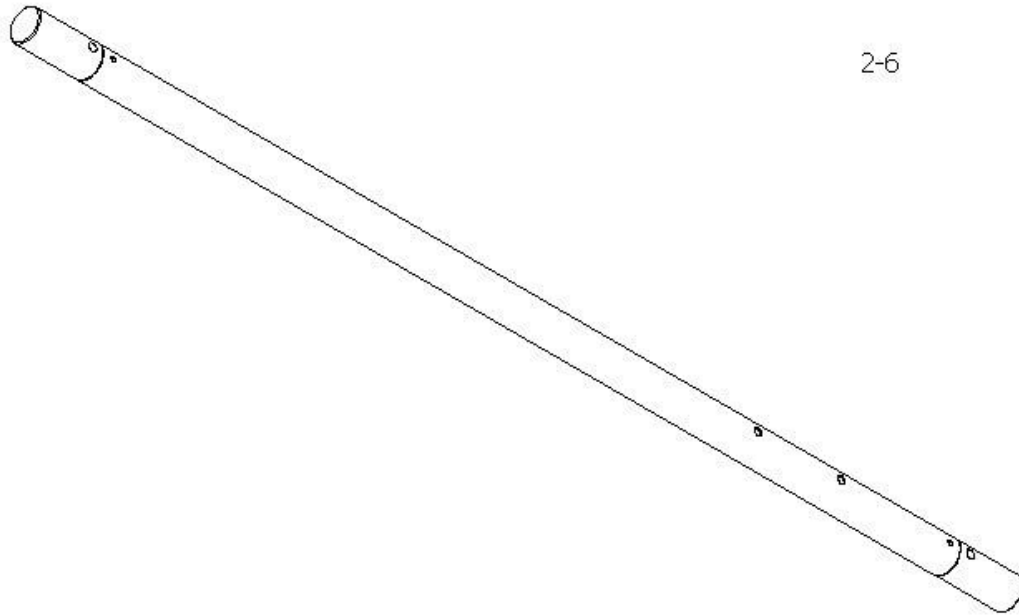
2-4. PC6618-001LA Component Detail

Note	Part Number	Description
2-4	PC6618-001LA	Leg Assembly (left)
2-4-1	PJZ0800230A	Wing Bolt
2-4-2	PJZ0800300A	Wing Bolt



2-5. PC6618-001RA Component Detail

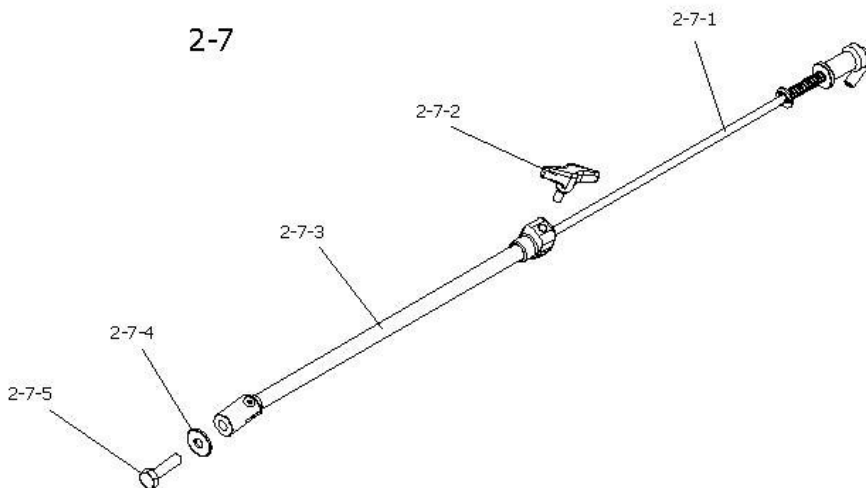
Note	Part Number	Description
2-5	PC6618-001RA	Leg Assembly (right)
2-5-1	PL8622-251	4" Pneumatic Wheel
2-5-2	PL8622-252	4" Locking Pneumatic Wheel
2-5-3	PFC0120180	Knob M12*18L



2-6

2-6. PC8622-635BA Component Detail

Note	Part Number	Description
2-6	PC8622-635BA	Pedal Crossbar

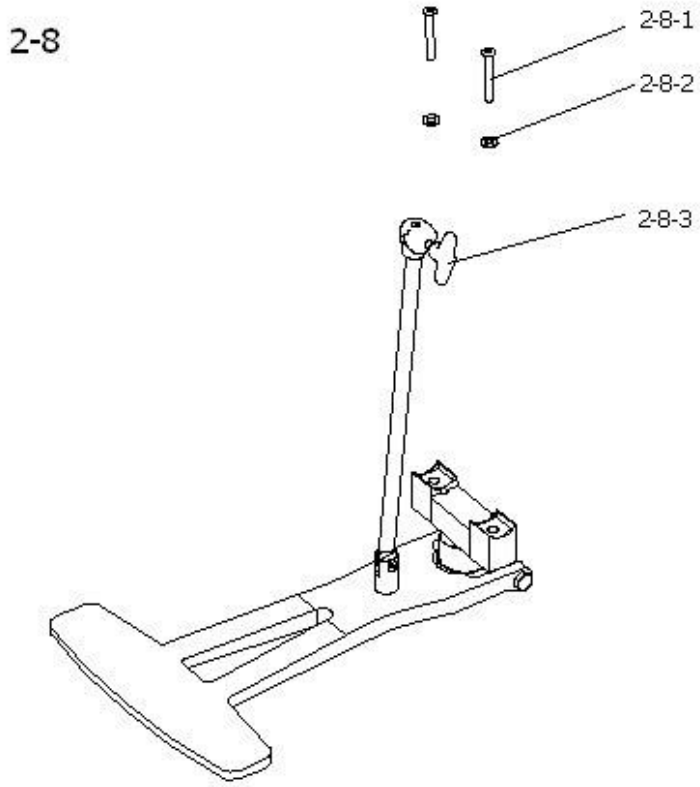


2-7. PC6518-3780A Component Detail

Note	Part Number	Description
2-7	PC6518-3780A	Pull Rod Assembly Complete
2-7-1	PC6518-380A	Upper Pull Rod Assembly
2-7-2	PJZ0600150A	Wing Screw



2-7-3	PC1618-370A	Lower Pull Rod Assembly
2-7-4	PWK22008215B	Flat Washer
2-7-5	PSH080030013	Hex Head Bolt

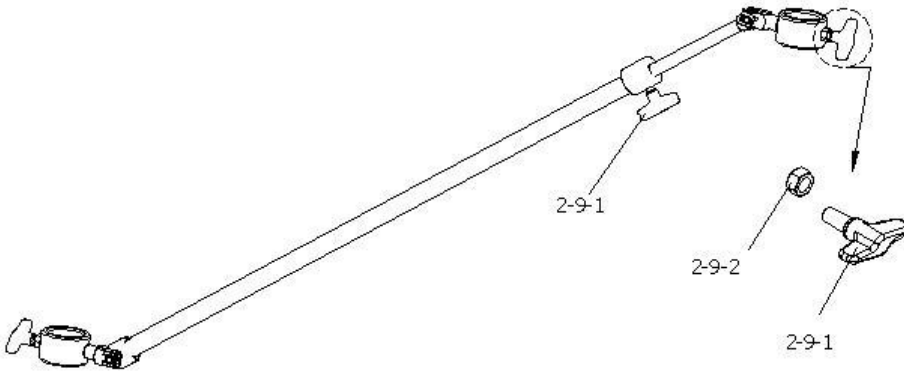


2-8. PC6618-220A Component Detail

Note	Part Number	Description
2-8	PC6618-220A	Pedal Assembly
2-8-1	PSC0600450HB	Allen Bolt
2-8-2	PWK15006220B	Flat Washer
2-8-3	PJZ0600150A	Wing Screw



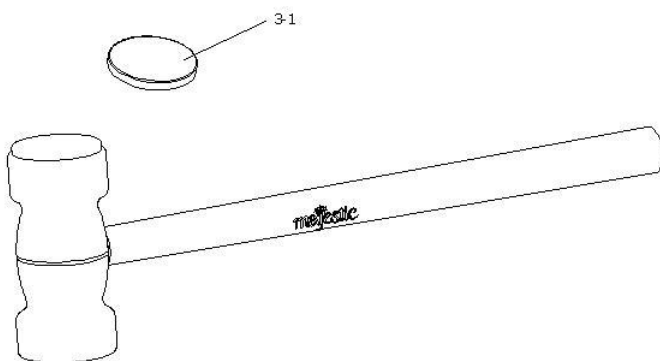
2-9



2-9. PC8622-3780A Component Detail

Note	Part Number	Description
2-9	PC8622-3780A	Crossbar Assembly Complete
2-9-1	PJZ0800170A	Wing Bolt
2-9-2	PNH080006512	Hexagonal Nut

3

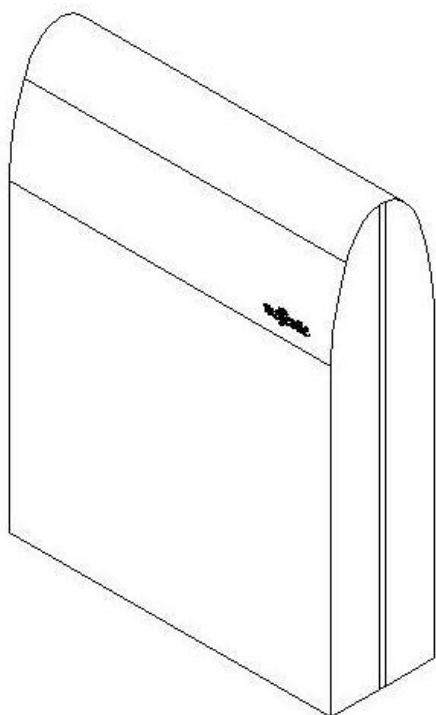


3. PC6618-505 Component Detail

Note	Part Number	Description
3	PC6618-505	Majestic Chime Mallet
3-1	PC6618-265	Cowskin



4



4. PC8622-X60C Component Detail

Note	Part Number	Description
4	PC8622-X60C	Majestic Chime Cover